



# 慈溪市万捷电子有限公司

## CIXI WANJIE ELECTRONIC CO., LTD

### REVISION RECORD

REV.	DESCRIPTION	ECN No.	APPROVED	DATE

### UL/CUL 技术参数



UL/CUL Technical Data	等级	Use Group	B	C	D
额定电压	Rated Voltage	[V]	300	-	300
额定电流	Rated Current	[A]	10	-	10

接线范围	Wire Range	单/多芯线	Solid/Stranded	[AWG]	28-12
耐压	Withstanding Voltage				1600V/1Min

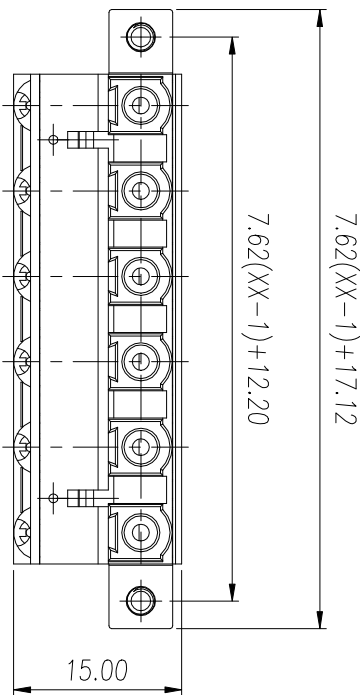
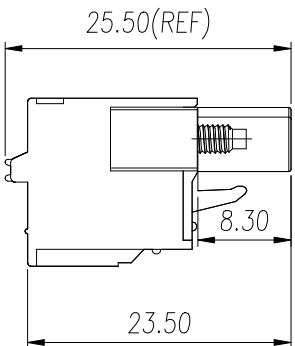
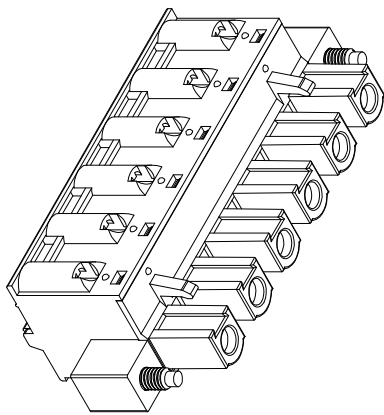
### IEC 技术参数

IEC Technical Data IEC61984

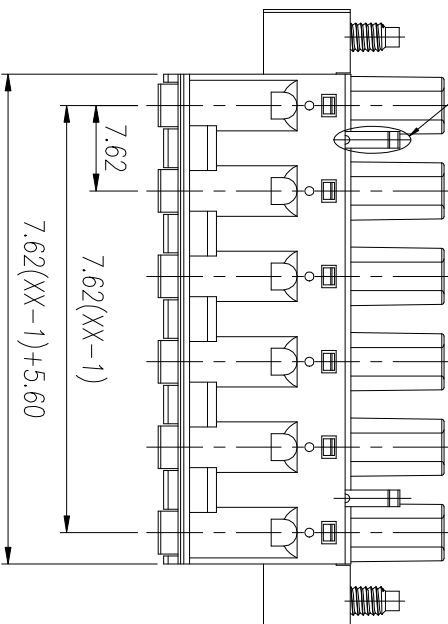
过电压类别	Overtoltage Category	III	III	II
污染等级	Contamination Class	3	2	2
额定电压	Rated Voltage	[V]	400	630
额定电流	Rated Current	[A]	12	12
额定冲击电压	Impulse withstand voltage	[kV]	6.0	6.0

导线截面	Conductor cross section	硬质/柔性导线	Solid/flexible	[mm <sup>2</sup> ]	0.2-2.5
材料	Material				
绝缘材料	Insulation Material				P466
阻燃等级	Inflammability				UL94V-0
导体材料	Conductor Material				铜合金 Copper alloy
导体表面镀层	Conductive Coating				镀锡 Sn Plated

一般参数	Other Data	间距	Pitch	极数	Poles	[mm]/[P]	7.62/02-16
剥线长度	Stripping Length						7-8
螺丝	Screw/扭矩	Torque(Nm)					-
工作温度	Operating temperature	[°C]					40-105
焊接温度	Soldering temperature						-
引针/尺寸	Pin Dimensions						[mm]
PCB板孔径	PCB Hole Diameter						[mm]



两线时只有此卡耳



linear dimension(Tolerances Standard GB/T 14486-2008)

tolerance	±0.20	±0.30	±0.50	±0.70	±1.00	±1.30	±1.60	0.10	0.30	0.60
variable range	6 to 10	6 to 10	10 to 30	30 to 60	60 to 100	100 to 160	160 to 100	10 to 100	10 to 100	100 to 100

单位 / UNITS mm 尺寸 / SIZE A4 比例 / SCALE 1:5.1

第三视图/THIRD ANGLE PROJECTION 版本 / REV V0



名称 / TITLE WJ2EDGKM-7.62-XXP-1YY-00A