

慈溪市万捷电子有限公司

CIXI WANJIE ELECTRONIC CO., LTD

REVISION RECORD

REV.	DESCRIPTION	ECN No.	APPROVED	DATE

UL/CUL 技术参数
UL/CUL Technical Data



等级	Use Group	B	C	D
额定电压	Rated Voltage [V]	300	-	300
额定电流	Rated Current [A]	15	-	10
接线范围	Wire Range	28-12		
单/多芯线	Solid/Stranded [AWG]			
耐电压	Withstanding Voltage	1600V/1Min		

IEC 技术参数
IEC Technical Data

过电压类别	Overvoltage Category	III	III	II
污染等级	Contamination Class	3	2	2
额定电压	Rated Voltage [V]	250	320	630
额定电流	Rated Current [A]	12	12	12
额定冲击电压	Impulse withstand voltage [KV]	4.0	4.0	4.0

导线截面积 Conductor cross section
硬质/柔性导线 Solid/flexible [mm²]

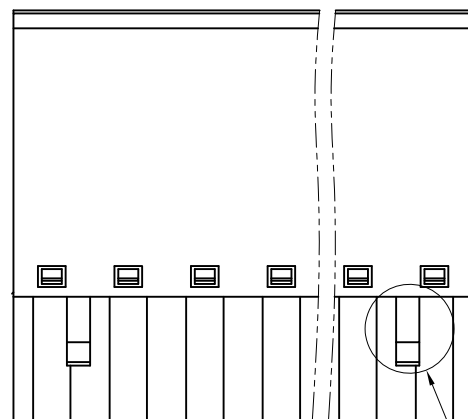
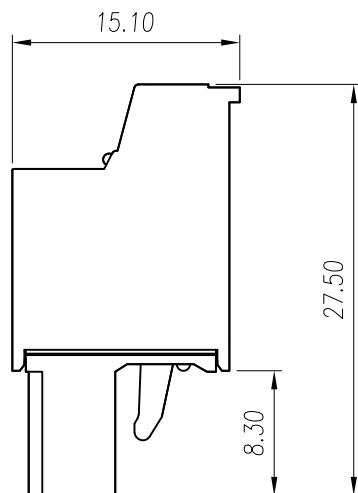
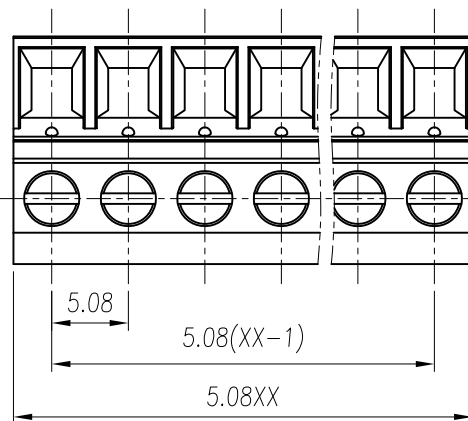
0.2-2.5

材料 Material

绝缘材料	Insulation Material	PA66
阻燃等级	Imflammability	UL94V-0
导体材料	Contacting Material	铜合金 Copper alloy
导体表面镀层	Contactive Coating	镀镍 Ni Plated

一般参数 Other Data

间距	Pitch /极数 Poles [mm] / [P]	5.08 / 02~24
剥线长度	Stripping Length [mm]	9~10
螺丝	Screw/扭矩 Torque(Max) [N.m]	M2.5/0.4
工作温度	Operating temperature [°C]	-40~105
焊锡温度	Soldering temperature	/
引针尺寸	Pin Dimensions [mm]	/
PCB板孔径	PCB Hole Diameter [mm]	/



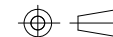
两线时只有此卡耳

linear dimension(Tolerances Standard GB/T 14486-2008)

variable range	to 6	over 6 to 10	over 10 to 30	over 30 to 60	over 60 to 100	over 100 to 160	tolerance	0.10	0.30	0.60
tolerance	±0.20	±0.30	±0.50	±0.70	±1.00	±1.30	±1.60	0.10	0.30	0.60

单位 / UNITS mm 尺寸 / SIZE A4 比例 / SCALE 2:1

第三视角/THIRD ANGLE PROJECTION



慈溪市万捷电子有限公司
CIXI WANJIE ELECTRONIC CO., LTD

图称 / TITLE

WJ2EDGKC-5.08-XXP-1YY-00A