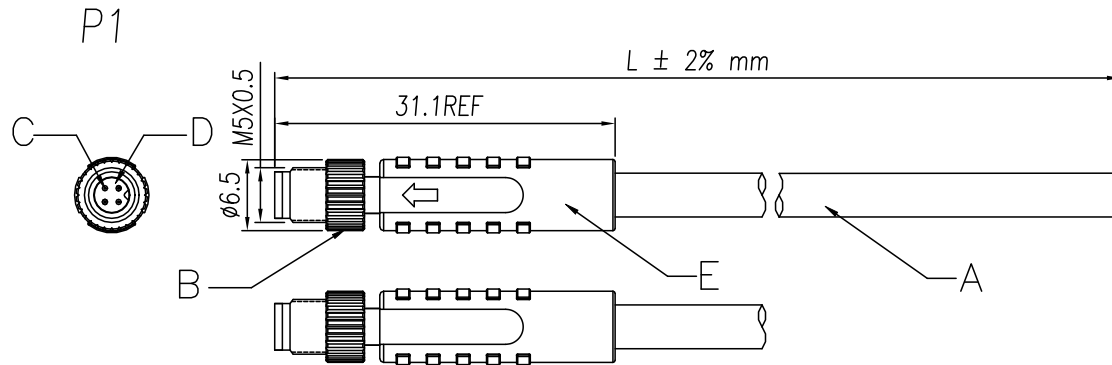


REVISION RECORD				
REV.	DESCRIPTION	ECN No.	APPROVED	DATE
V0	--			2021.08.25

IEC 技术参数 IEC Technical Data		IEC61076-2-105
工作温度 Operating temperatur [°C]	-25~+80	
防护等级 IP Class (IN Locked condition)	IP67	
额定电压 Rated Voltage [V]	60	
额定电流 Rated Current [A]	1	
导线截面积 Conductor cross section 硬质/柔性导线 Solid/ flexible [mm²]	0.14	
接线范围 Wire Range 单/多芯线 Solid/Stranded [AWG]	26	
材料 Material		
绝缘材料 Insulation Material	PA 66	
阻燃等级 Imflammability	UL94V-0	
导体材料 Contactor Material	铜合金 Copper alloy	
导体镀层 Contactive Coating	镀金 Gold Plated	
螺母/螺丝 Connector Nut/Screw	Brass With Nickel Plated 铜镀镍	
符合RoHS环保要求		



Contacts Pin 数	3Pin	4Pin
Coding 编码	A-Coding	A-Coding
Rated Current 额定电流	1A	1A
Rated Voltage 额定电压	60V	60V
Wire Range 线范围	26AWG	26AWG
PART NO.品名 (1.0M):	M05-A03-ST0-M02-BCC-100N	M05-A04-ST0-M02-BCC-100N
PART NO.品名 (2.0M):	M05-A03-ST0-M02-BCC-200N	M05-A04-ST0-M02-BCC-200N
PART NO.品名 (3.0M):	M05-A03-ST0-M02-BCC-300N	M05-A04-ST0-M02-BCC-300N
PART NO.品名 (5.0M):	M05-A03-ST0-M02-BCC-500N	M05-A04-ST0-M02-BCC-500N
Customized.定制化:

3Pin
Wirelist
1 ————— brown
3 ————— blue
4 ————— black

4Pin
Wirelist
1 ————— brown
2 ————— White
3 ————— blue
4 ————— black

E	TPU	Molded With Black TPU	G	5
D	Housing	A-Coding Male,Black PA66	pcs	1
C	Terminal	Male Terminal ,Brass With Gold Plated	pcs	X
B	Screw	Screw M5X0.5,Brass With Nickel Plated	pcs	1
A	Cable	UL2464 26AWG Black PVC Jacket	mm	XXX
编号 No.	料号 Materials.No	品名 Name	材料规格 Description	单位 用量 Unit Qty

		慈溪市万捷电子有限公司 CIXI WANJIE ELECTRONIC CO., LTD			PART NO.: M05-AXXP-ST0-M02-BCC-XXXX				
		NO SPECIFIED TOLERANCE	Cus' P/N:	Order No: ---	Drawing No.:	SP-02-M000XX			
LINEAR	0.5-6	±0.1	DES.	JUN	DATE	UNITS	mm	THIRD ANGLE PROJECTION 	PAGE 1 of 1
	6-30	±0.2	CHK.		DATE	SIZE	A4		
	>30	±2%	APP.		DATE	SCALE	X:X	文件等级: 外部公开	